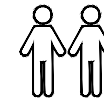


3

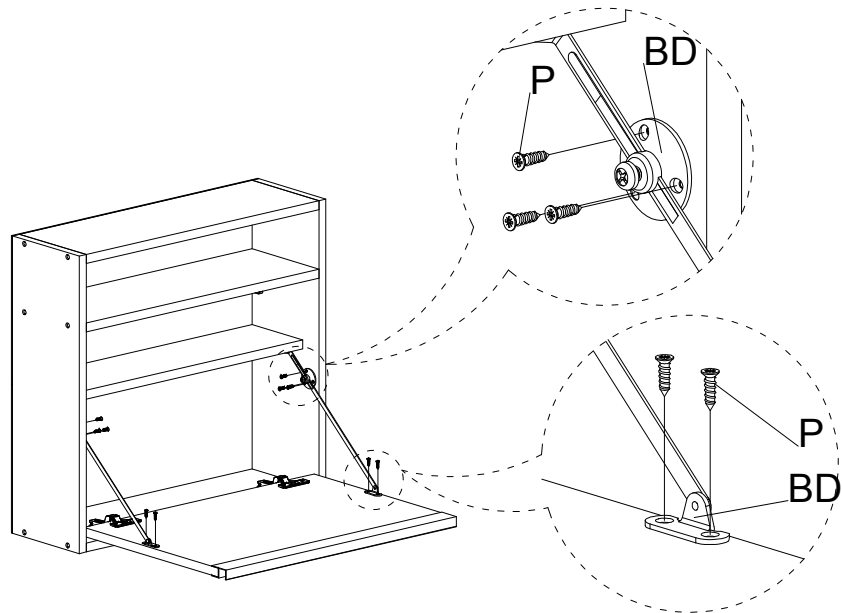
MATERIALS



C	E	H	I	M	N
2 PCS	12 PCS	4 PCS	2 PCS	2 PCS	12 PCS
P	T	AA	AB	BD	
22 PCS	2 PCS	1 PCS	50 PCS	2 PCS	

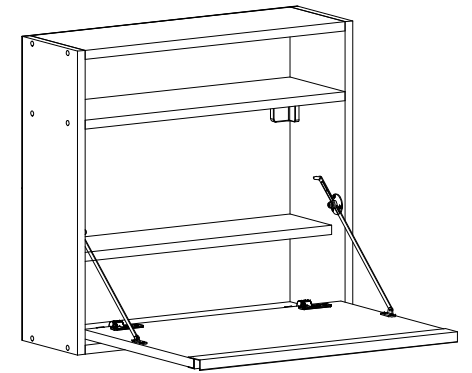
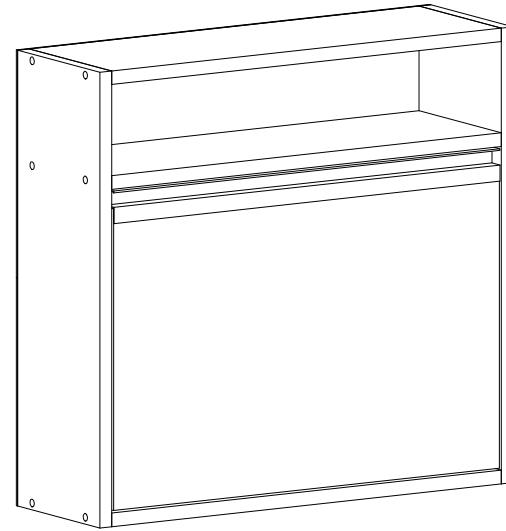
OPTIMUM PAKET

NO	NAME	PIECE
1	SAĞ YAN	1 AD
2	SOL YAN	1 AD
3	ÜST VE ORTA TABLA	2 AD
4	SABİT RAF	1 AD
5	ALT TABLA	1 AD
6	UZUN ARKALIK	1 AD
7	KISA ARKALIK	1 AD
8	KAPAK	1 AD

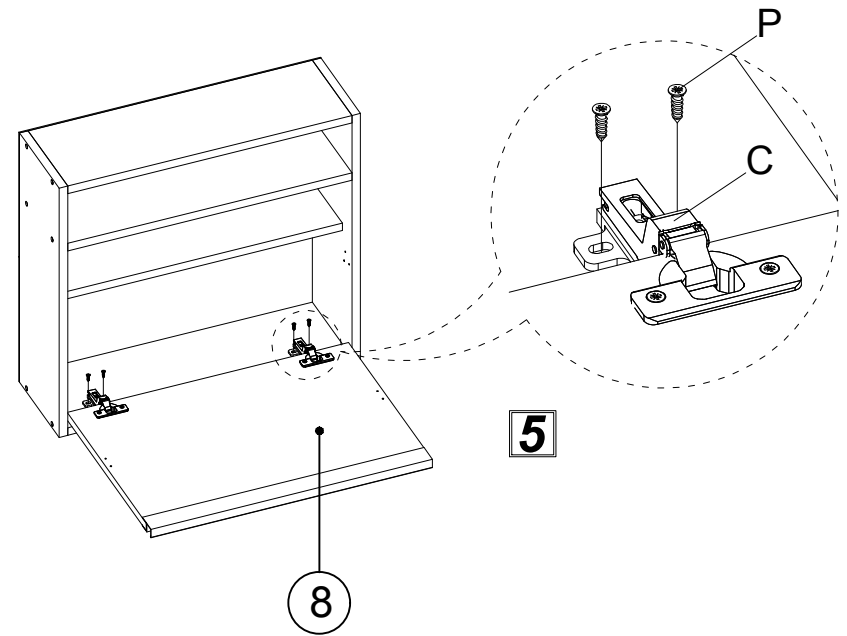
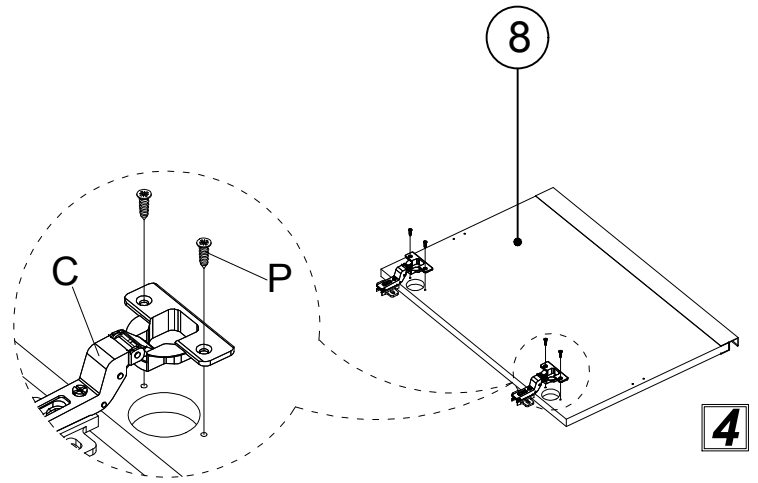
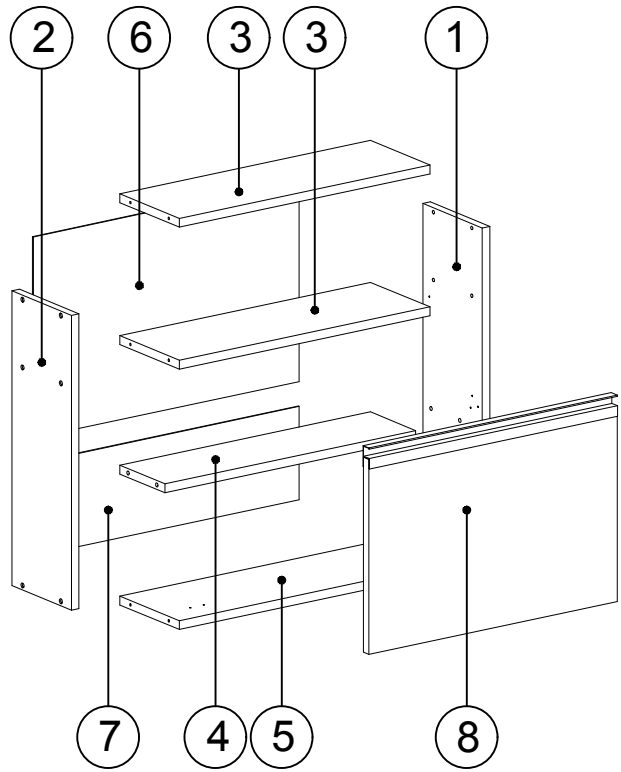


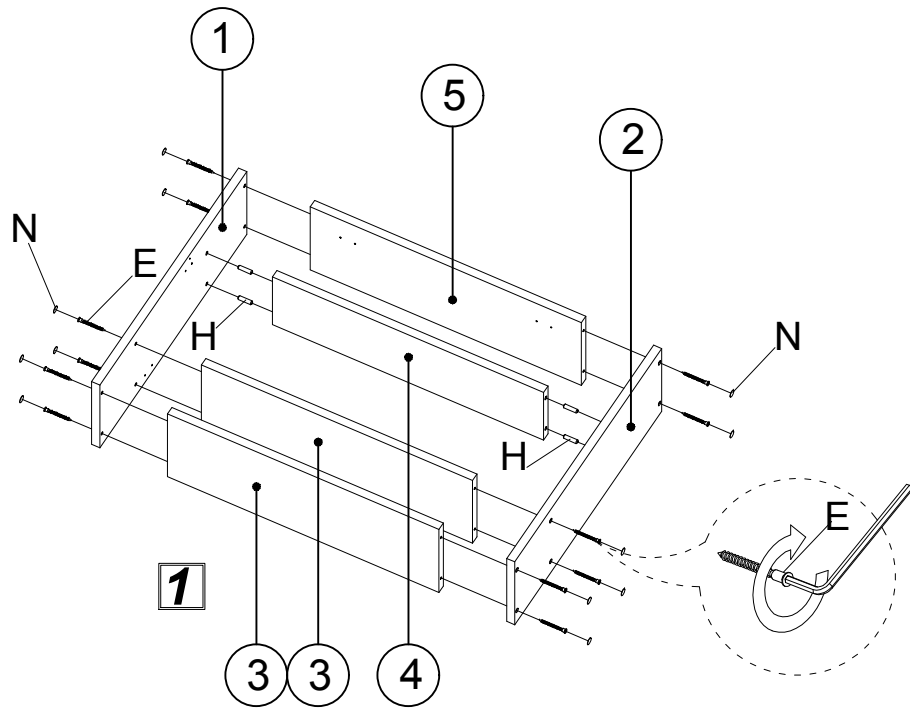
6

OPTIMUM



DECORMET





**2**

